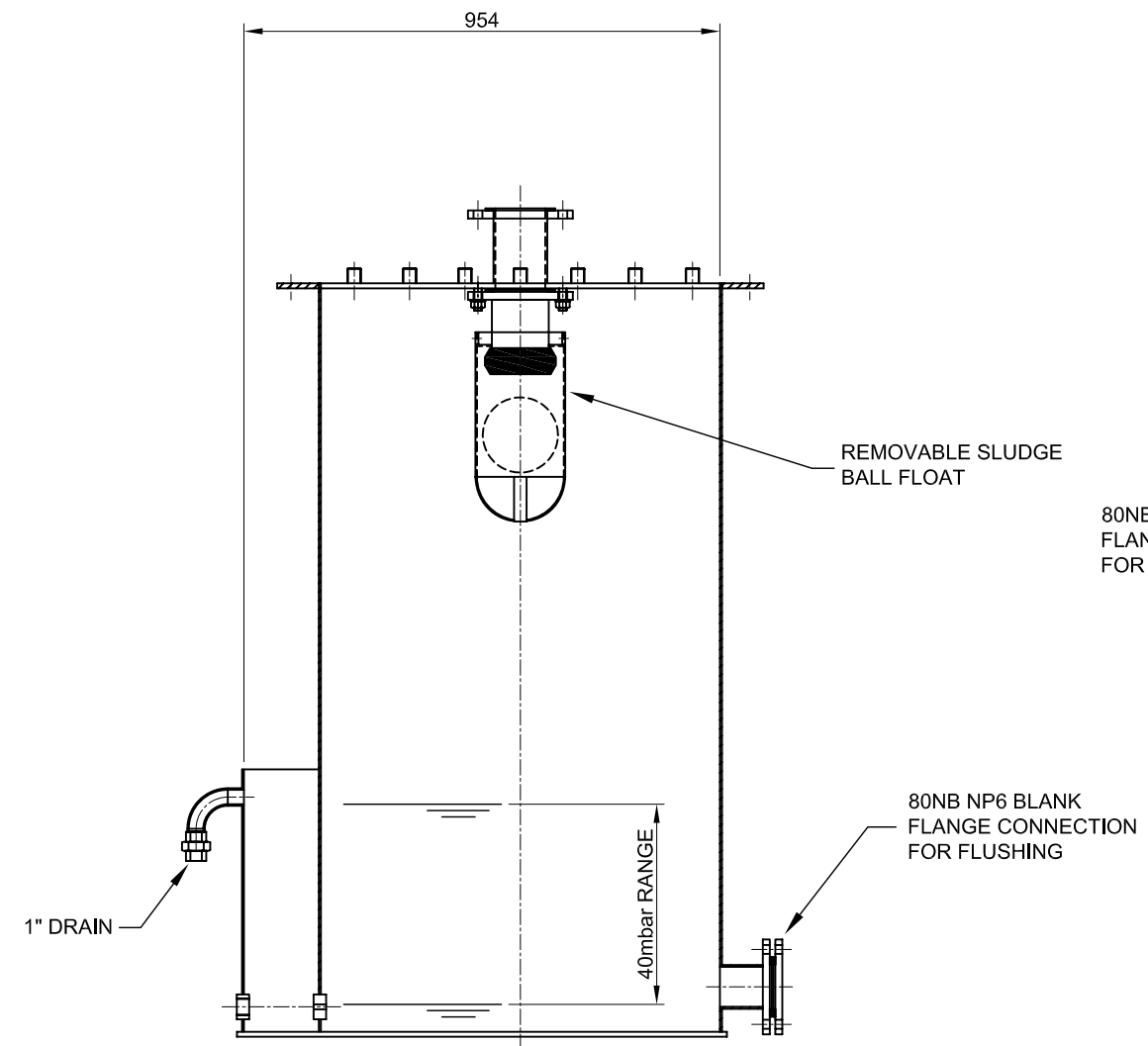
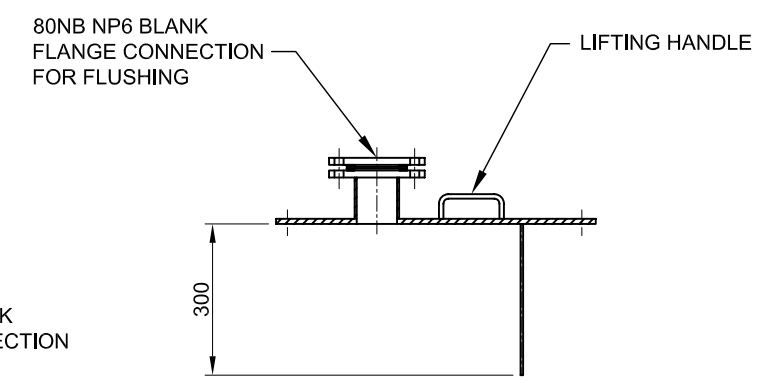


VIEW ON 'A-A'

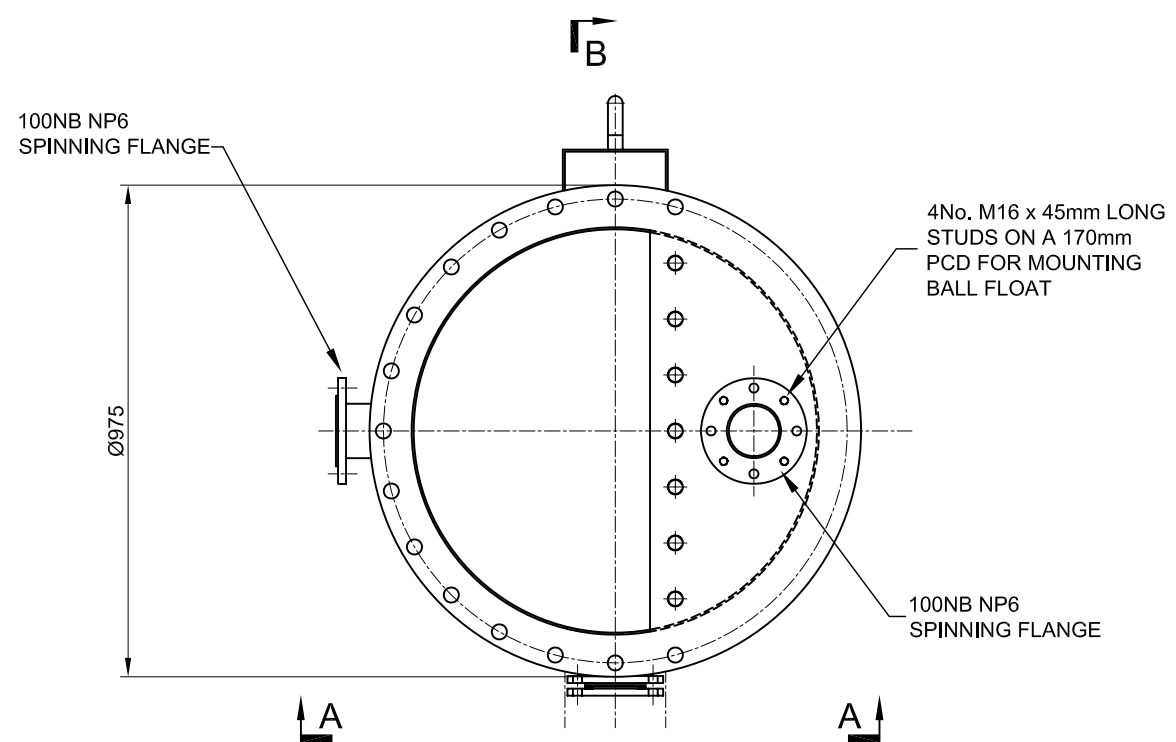


SECTION ON 'B-B'

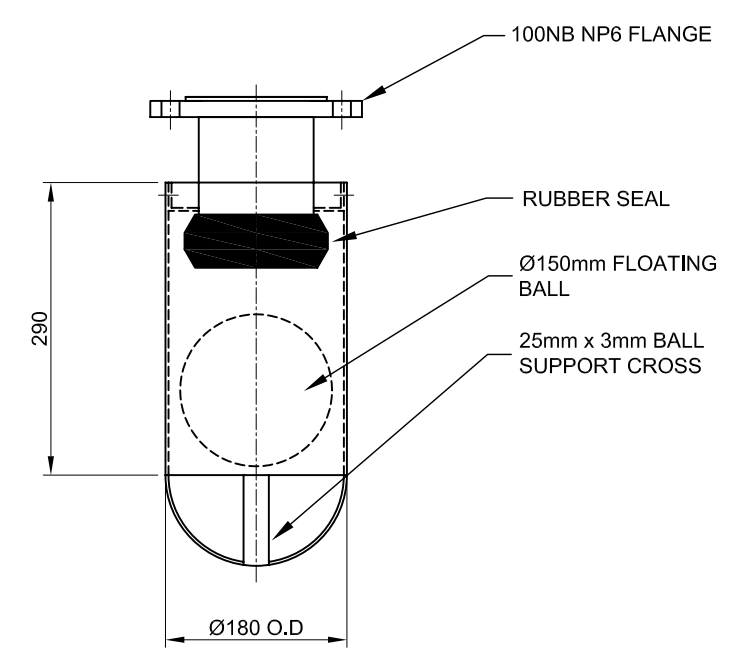
- Notes:**
- GENERAL NOTES
1. All dimensions in millimetres (mm) unless otherwise stated.
 2. All levels in metres (m) above ordnance datum unless otherwise stated.
 3. Drawing in accordance with the standards referenced in BS 8888: 2004.
 4. Condensate pot to be manufactured from 3mm thick 304 stainless steel pipe.
 5. Flanges in accordance with BS EN 1092-1: 2002, table PN6 unless otherwise stated.
 6. Condensate pot working pressure 0-40 mbar



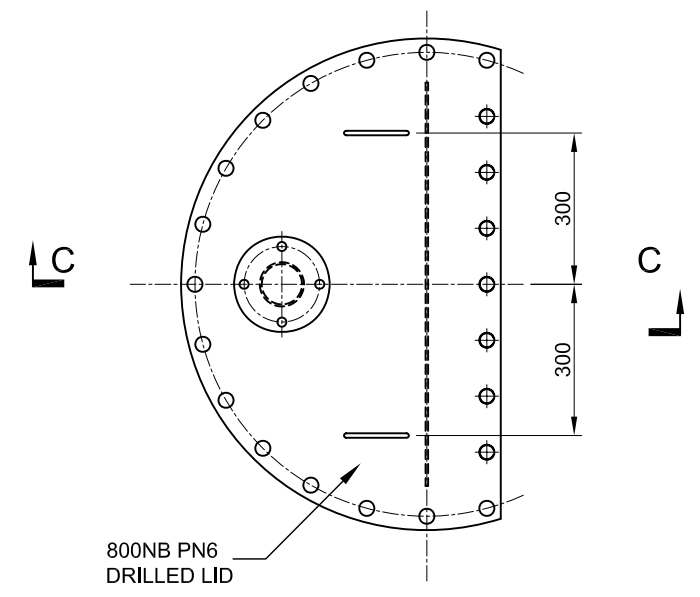
SECTION ON 'C-C'



PLAN OF POT



SLUDGE BALL FLOAT (NTS)



PLAN OF LID

B	25/09/09	PWB	SLUDGE BALL FLOAT ADDED	
A	12/08/09	PWB	FIRST ISSUE	
REV.No.	DATE	DRN.	DESCRIPTION	JOB No.
TITLE:- CONDENSATE POT – 100NB SUCTION GA				
DRN P.Booth	DATE 12/08/09	SCALE 1:15	DRN No.	BG-STD-2002
CHKD M.Newey	DATE 12/08/09		REV	B